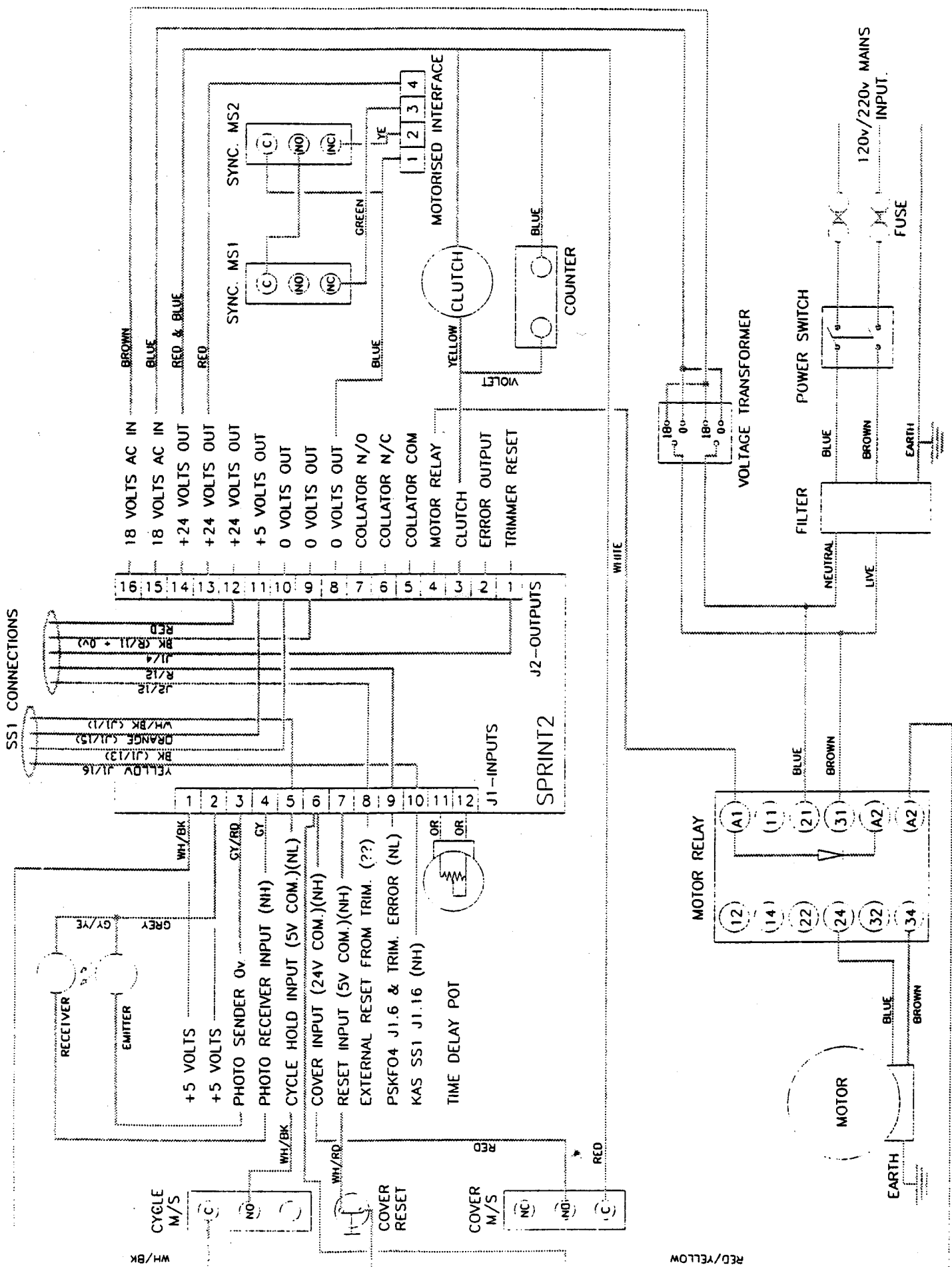


FOR THE INSTALLATION ENGINEER:

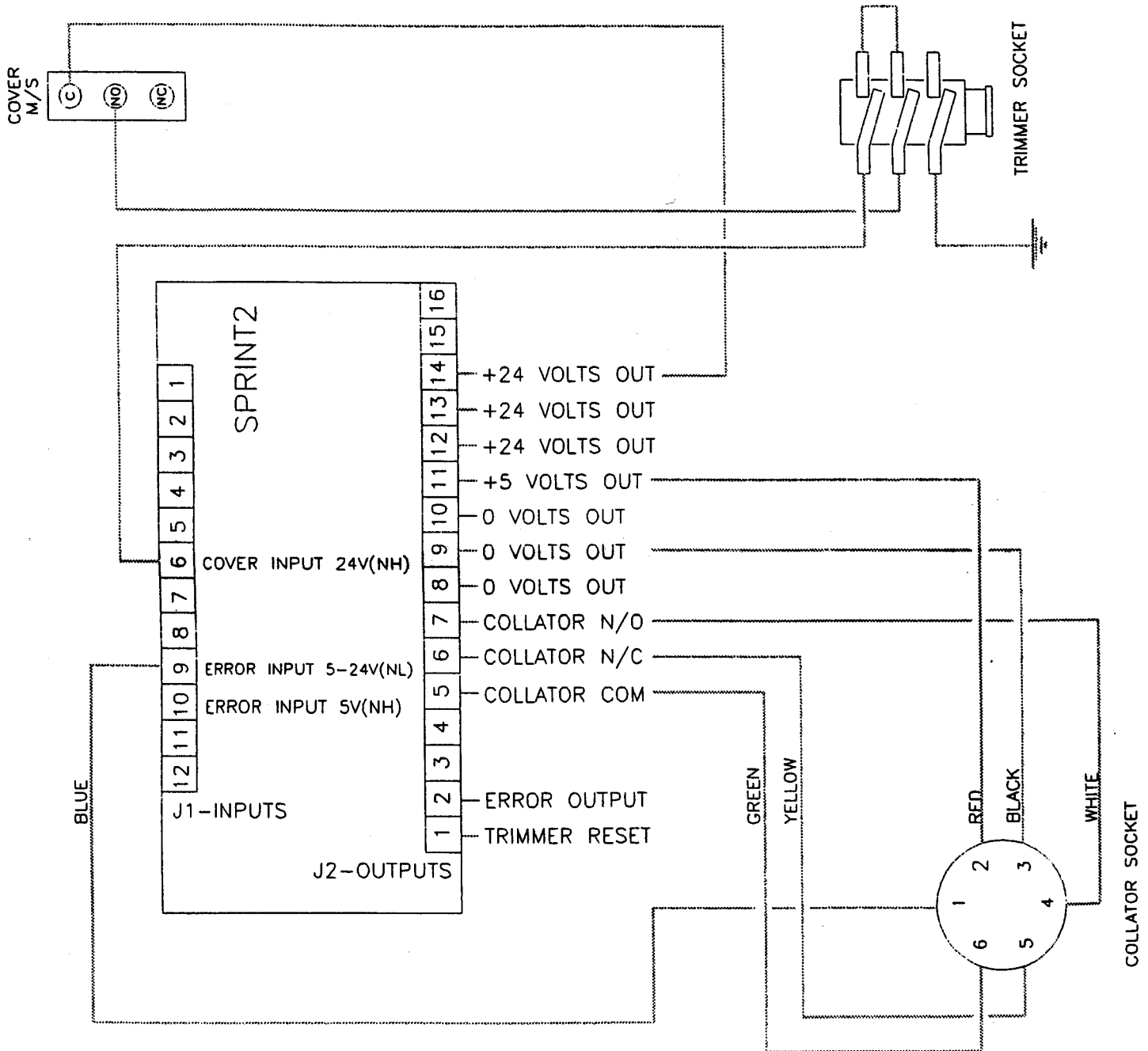
THIS MACHINE IS FITTED WITH A
24 VOLT INTERNAL WIRING SYSTEM.

WIRING DIAGRAM IS ENCLOSED.

BOOKLETMAKER WIRING DIAGRAMS.
 MODELS 2000, 3000 & 5000.



BOOKLETMAKER WIRING DIAGRAMS. INTERFACE CONNECTIONS



'STAPLE OUT SYSTEM' AND 'STOP FOR ON-LINE COLLATOR' WIRING.
FOR 24V SYSTEMS WITH HCS MODEL STAPLE HEADS.

