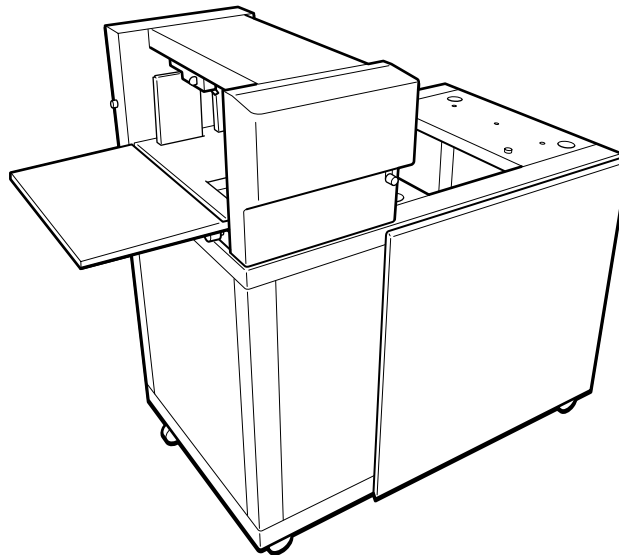


AF-100 Autofeeder

Installation Manual

Version 1.0

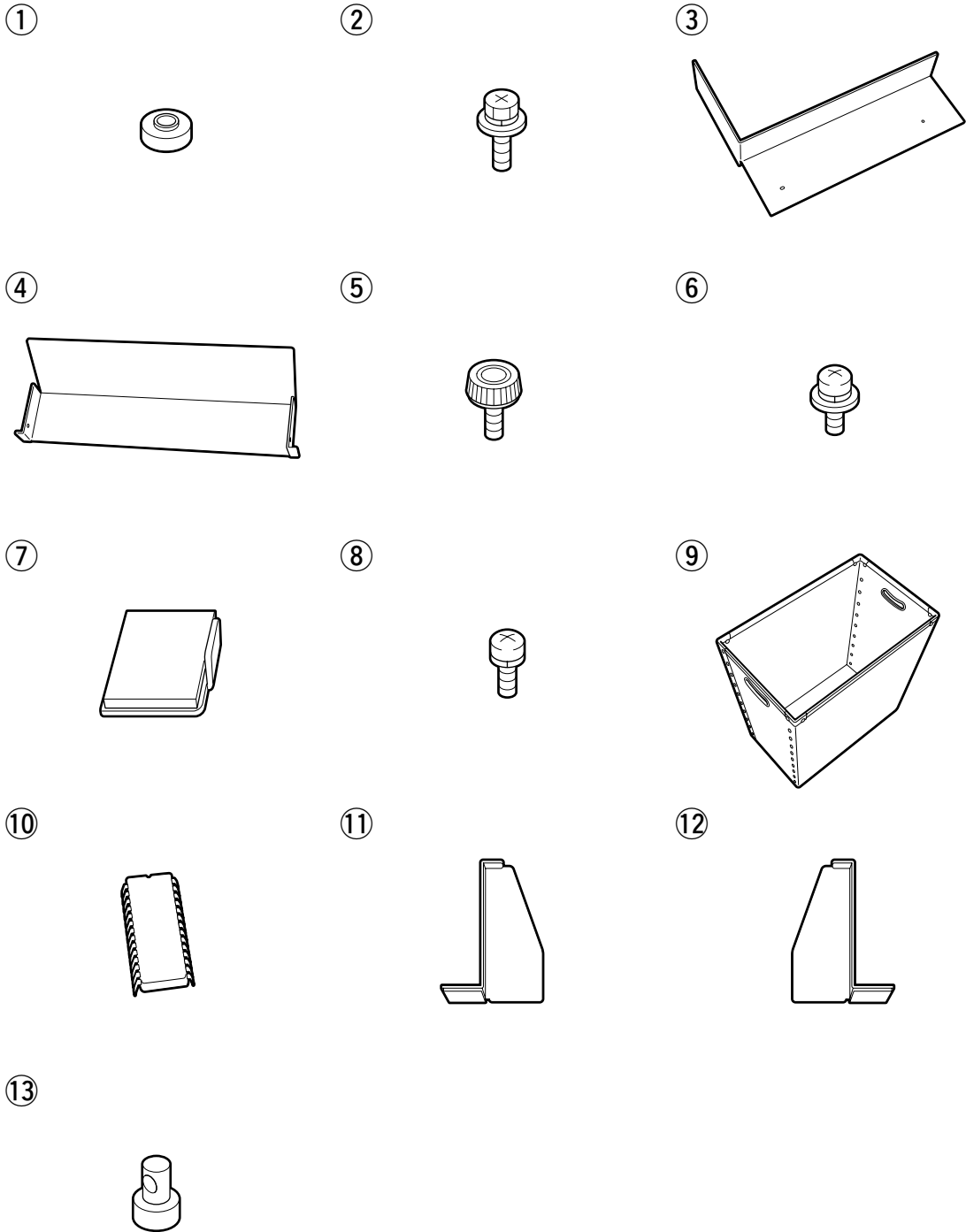


Correct operation and periodic maintenance are essential for ensuring safe use of this machine. Thoroughly read this manual before using this machine.

DUPLO SEIKO CORPORATION

Store this manual so that it can be retrieved whenever needed.

Unpacking the AF-100 Autofeeder



No.	Part	Q'ty	No.	Part	Q'ty
①	Spacer (N4-L2201)	2	⑧	Screw (M4 x 8, with SPW)	2
②	Screw (M5 x 12, with SPW)	2	⑨	Wastebasket (F2-50760)	1
③	Guide (N4-L2220)	1	⑩	ROM (Ver2.03)	1
④	Cover (N4-L2230)	1	⑪	Guide R (N4-K4470)	1
⑤	Screw (90-52391)	2	⑫	Guide L (N4-K4460)	1
⑥	Screw (M4 x 8, with SPW)	6	⑬	Shaft (N4-L2181)	4
⑦	Actuator (N4-L2240, N4-L2250)	1			

Installation

- 1** Unpack and remove the DC-545, AF-100, and the stand from their respective boxes.

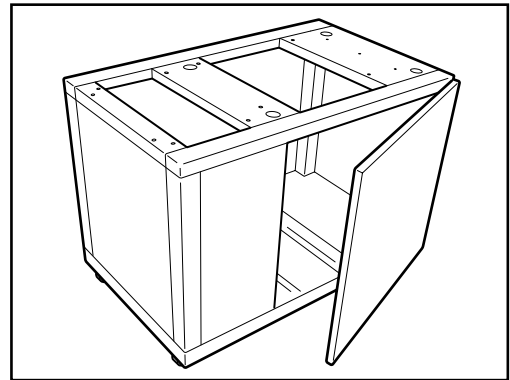


Figure 1-1: The stand after unpacking

- 2** Fix the shafts (N4-L2181) onto the stand by securing them with screws (M4 x 8, with SPW) from inside the stand.

See Figures 2-1 and 2-2 for the position of the shafts.

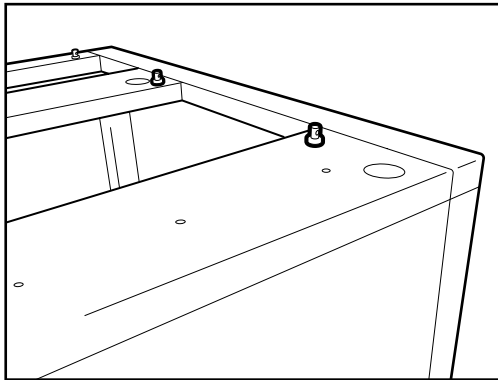


Figure 2-1: Shafts for attaching the DC-545 (2 shafts)

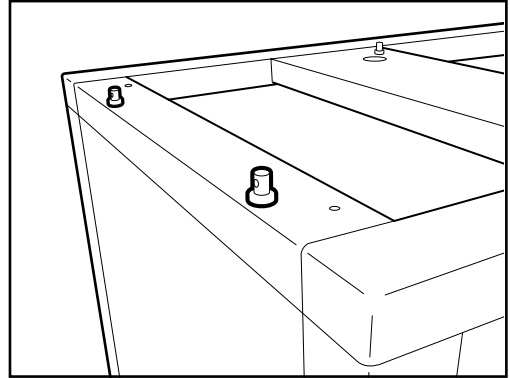
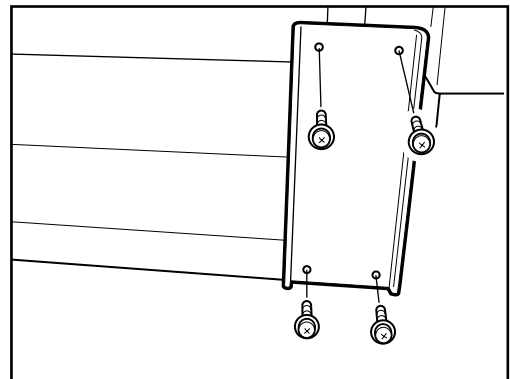


Figure 2-2: Shafts for attaching the Autofeeder (2 shafts)

- 3** Remove the reinforcing plate (N4-G1200). (4 screws)



- 4** Remove the tray (N4-G1371). (6 screws)

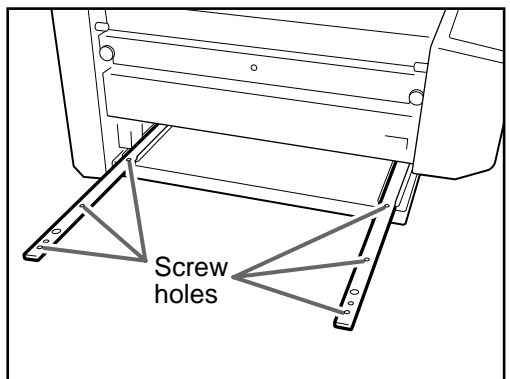


Figure 4-1: After the tray is removed

5 Remove cover L. (4 screws)

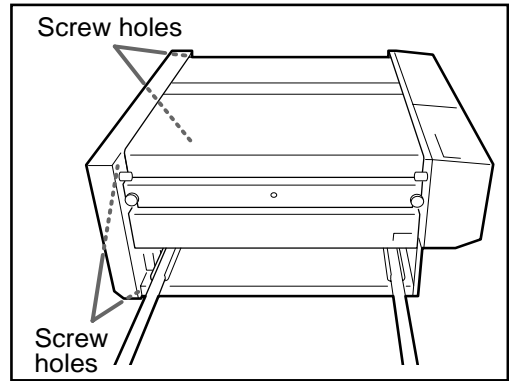


Figure 5-1: After the covers are removed

6 Remove the spring (D5-10220) located on the back panel of the DC-545, and then attach cover L. (4 screws)

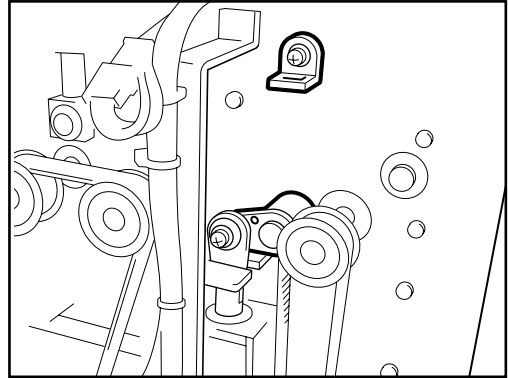


Figure 6-1: After the spring is removed

7 Re-attach the reinforcing plate (N4-G1200). (4 screws)

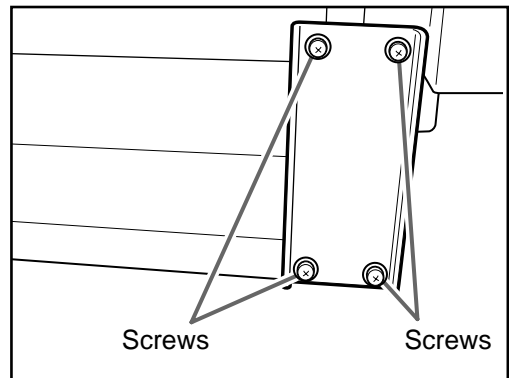


Figure 7-1: After the reinforcing plate is re-attached

8 Place the 2 spacers (N4-L2201) onto the stand.

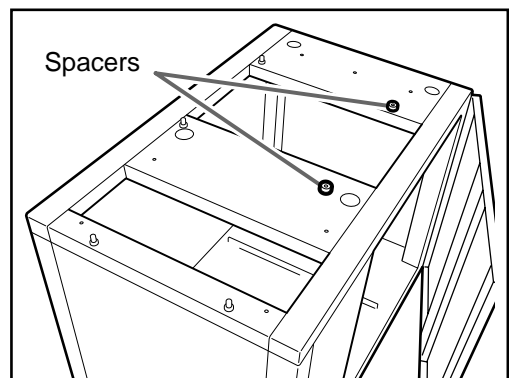


Figure 8-1: After the spacers are placed

9

Place the DC-545 on top of the stand. (Make sure to align the stand's pins to the holes on the base plate (N4-G1331) of the DC-545.)

Secure the stand and the base plate (N4-G1331) of the DC-545 by tightening the screws from inside the stand. (2 screws)

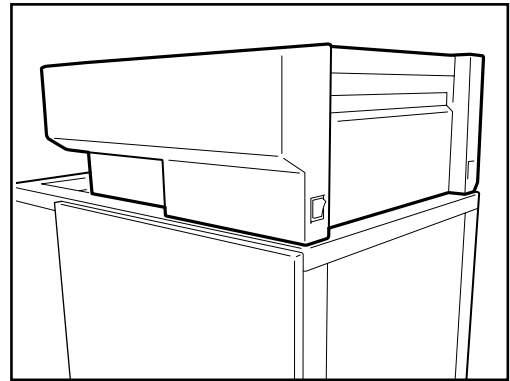


Figure 9-1: After the DC-545 is attached

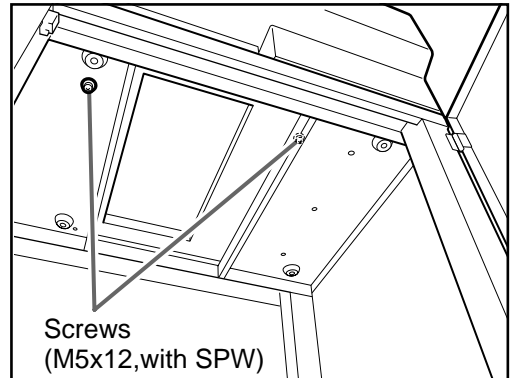


Figure 9-2: Location of the screws (M5x12, with SPW)

10

Attach the guide (N4-L2220) to the base plate (N4-G1331) of the DC-545 by tightening the thumb screws (90-52391). (2 screws)

Secure the cover (N4-L2230) by tightening the screws from inside the stand. (2 screws)

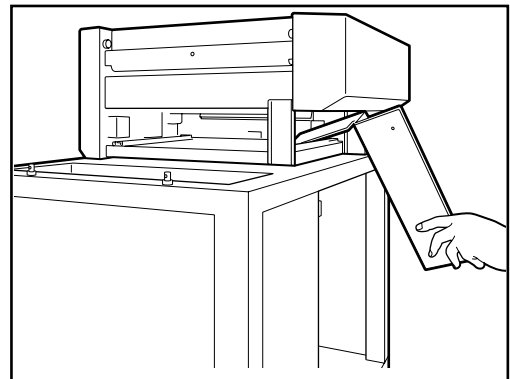


Figure 10-1: Attaching the guide

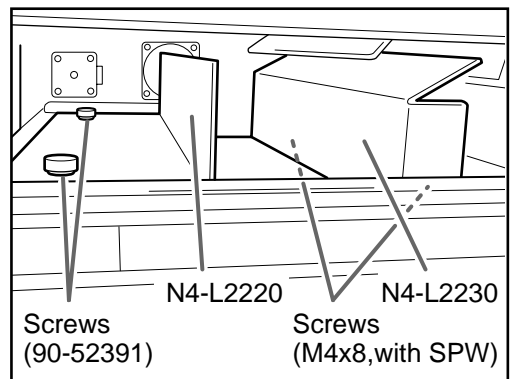


Figure 10-2: After the guide and the cover are attached

11 Attach the actuator.

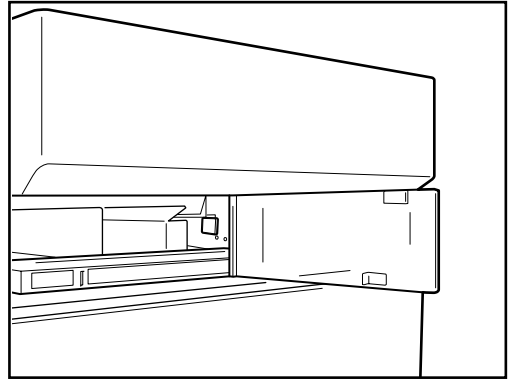


Figure 11-1: Location of the actuator

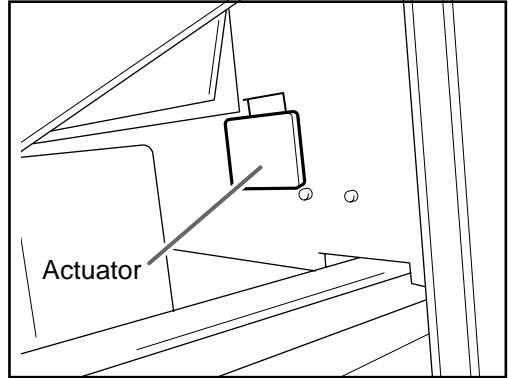
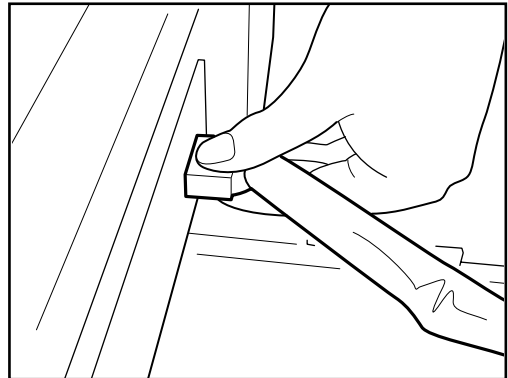
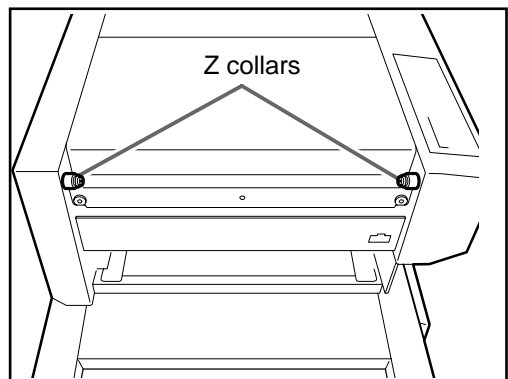


Figure 11-2: Close-up of the actuator

12 Place the Autofeeder on top of the stand, and then insert the connector.



13 Locate the Z collars (N4-A1170) to secure the Autofeeder.



14

Lift the Autofeeder to securely fasten the hook over the Z collar (N4-A1170).

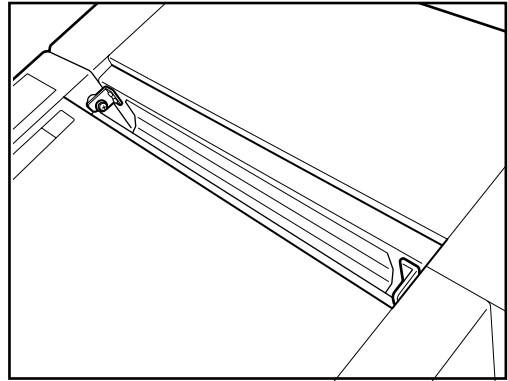
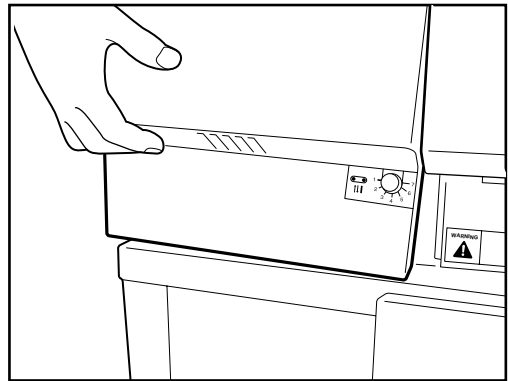


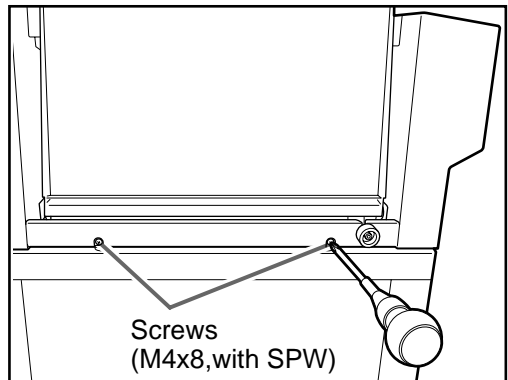
Figure 14-1: After the hook and the Z collar (N4-A1170) are fastened



15

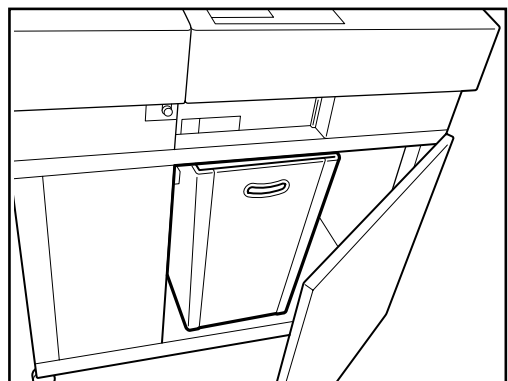
Align the pins on the stand to the holes on the reinforcing panel of the Autofeeder.

Secure the stand and the Autofeeder by using screws to fasten the pins into position. (2 pins)



16

Place the wastebasket inside the stand.



- 17** Remove the Rear Lid on the right of the DC-545 (N4-G1250), and then change the ROM. (Replace the Rear Lid after changing the ROM. (6 screws))

Note

- Only change the ROM if the version of the ROM is 2.02, or older. There is no need to change the ROM if its version is 2.03, or newer.

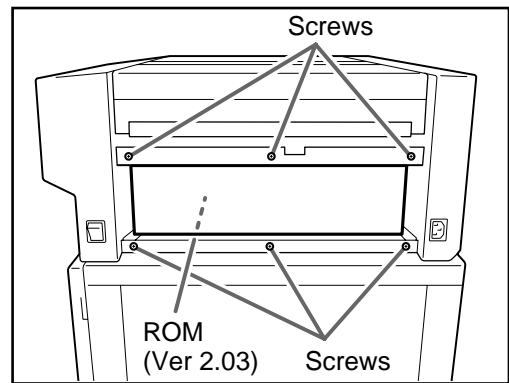


Figure 17-1: After the Rear Lid is removed

- 18** Attach the paper receiving plate (N4-G2350). (4 screws)

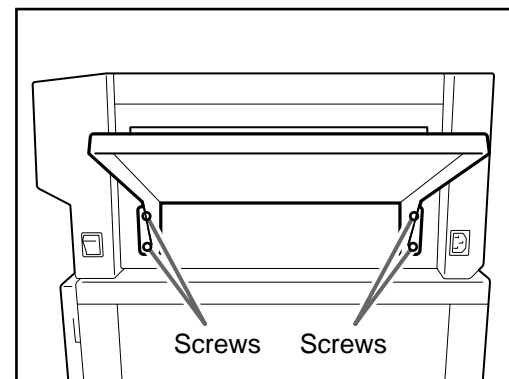
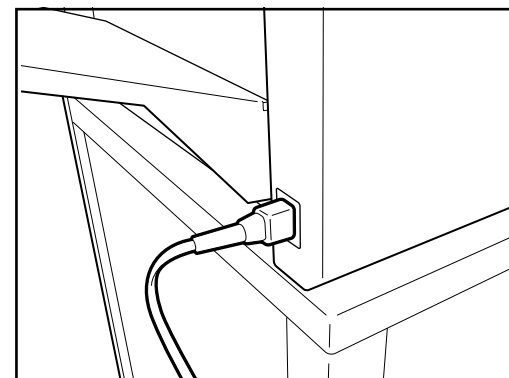
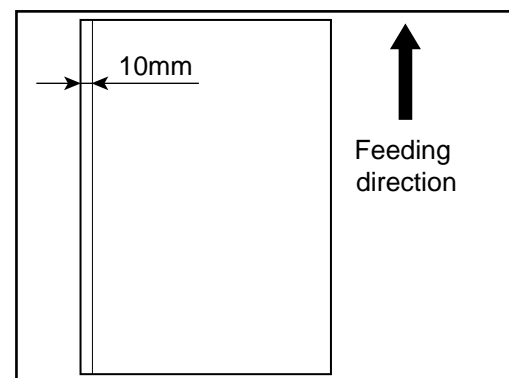


Figure 18-1: After the paper receiving plate is attached

- 19** Insert the power cord into the DC-545.



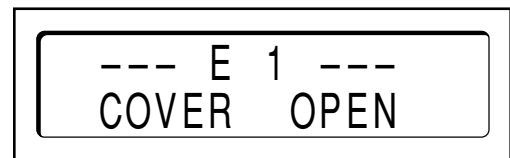
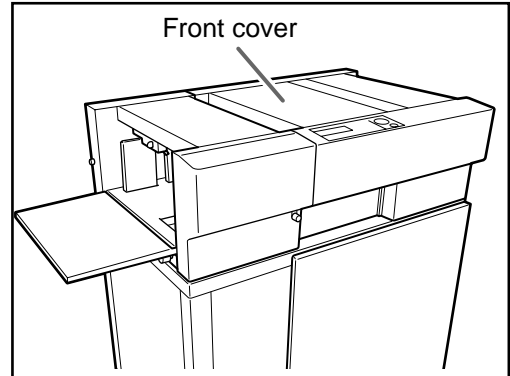
- 20** On Letter or A4 size paper, draw a straight line using a pen along the left side at 10 mm away from the edge of the paper.



21 Turn the power on.

22 Place the paper that you prepared in step 20 into the feed tray, and then press the START key.

23 The paper starts feeding, but the feeding will stop temporarily. When this happens, open the front cover of the DC-545 (main unit) to interrupt the feeding process and initiate an error. If the paper has not fed as far as the CCD, repeat step 22.



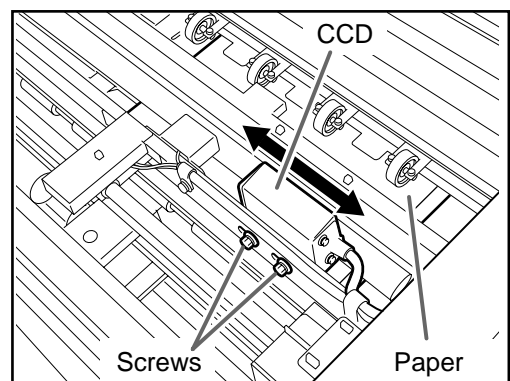
24 Turn the power off.

25 While pressing the STOP key, turn the power on. The display will show "00:ROM VERSION."

26 Press the (+) or (-) key repeatedly until the display shows "22:CCD CHECK." Press the START key to select the HELP-22.

27 Press the (+) key to activate the CCD.

28 Loosen the 2 screws and adjust the CCD by moving it in the direction shown by the arrow in the illustration below until the value on the display is at "70" (± 1). (There is no need for any adjustment if the value shown on the display is already at "70" (± 1)). When the adjustment is complete, tighten the 2 screws.



29 Remove the paper and close the front cover.

Initializing the RAM

If you changed the ROM in step 17, follow the procedure below to initialize the data.

.....
1 While pressing the STOP key, turn the power on.

.....
2 Press the (+) or (-) key repeatedly until the display shows "25:RAM CLEAR." Press the START key to select the HELP-25.

.....
3 Simultaneously press the (+) and (-) keys.
Initialization begins. Do not turn the power off.

.....
4 When "FINISH !!" is displayed, turn the power off.
.....

